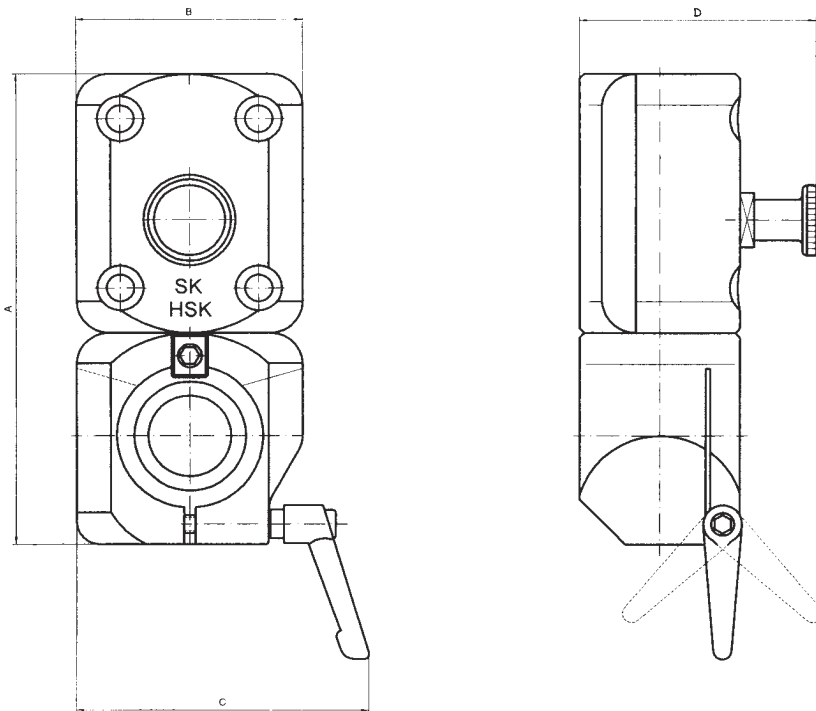


Adjustable Mounting Fixture for Standard and HSK Taper

The Adjustable Mounting Fixture from Transatlantic Connection rotates a full 360 degrees for easy access to all sides of the toolholder. Designed for bench-top mounting.



Taper	A	B	C	D	Bolt Centers	Weight	Order Number
HSK 63 and #40 Taper	209	98	140	100	60x70mm	8 kg	540.120.163
HSK100 and #50 Taper	265	124	180	134	85x70mm	13.6 kg	540.120.190

Dimensions in mm

Bolt hole \varnothing 12.5mm, counterbore \varnothing 19mm (both sizes).